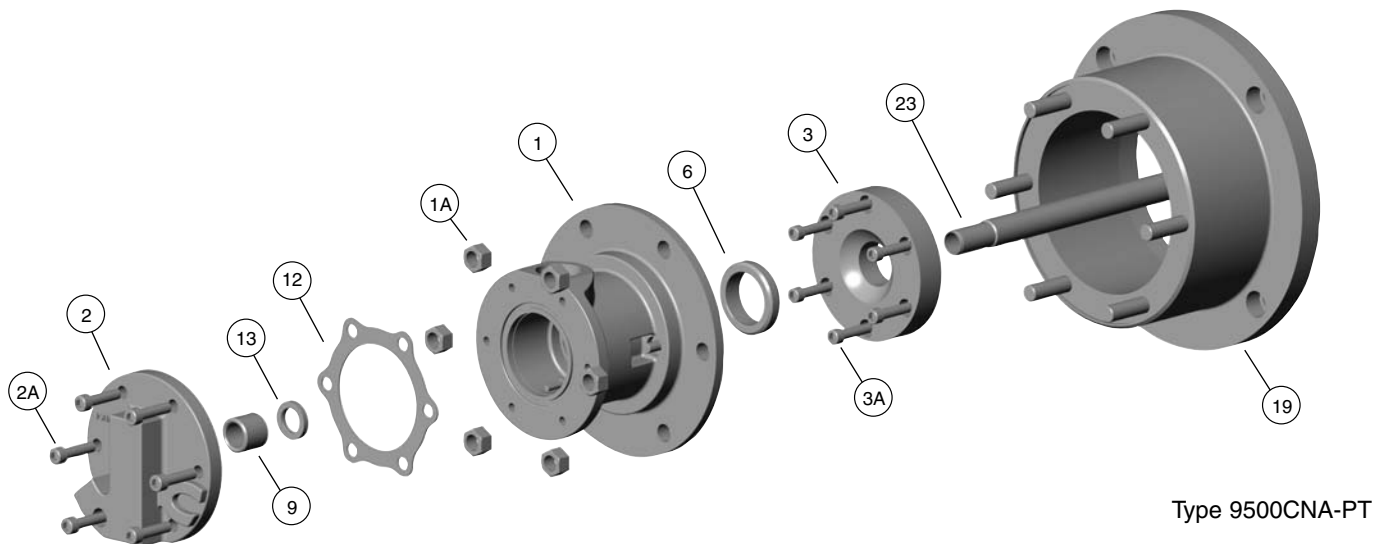


Installation Instructions for CorrPro™ Joint and Rotating Syphon



Type 9500CNA-PT

Please follow your company's safety procedures whenever working on Kadant Johnson rotary joints. Read all of the instructions completely before proceeding.

Please refer to the assembly drawings supplied with your Kadant Johnson rotary joint for part identification. If you have any questions, contact your Representative or Kadant Johnson.

NOTE: Do not use anti-seize or petroleum-based products on o-rings. Only lubricate the o-rings with the silicone lubricant supplied with the Kadant Johnson repair kit. Prior to handling lubricants, consult MSDS information.

PREPARE FOR INSTALLATION

Remove existing internal and external equipment including the joint, lug supports, syphon, journal adapter flanges, etc. The roll should be stripped down to the journal. If a new bearing cover is included with the CorrPro Joint, remove the existing cover at this time.

Clean the journal face of all debris. If the new wear plate (3) uses an o-ring to seal on the ID of the journal bore, clean the journal bore surface. Make sure there is a lead-in chamfer in the end of the journal bore, allowing the o-ring to compress and not get damaged during installation.

Clean the area where the bracket (19) mounts to the machine of all debris that may prevent it from mounting firmly to the machine. Clean all tapped holes using a bottoming tap.

STEP 1.

If applicable, install the journal adapter flange to the journal using the appropriate gasket or o-ring(s) as shown on the assembly drawing for the installation. If o-rings are used, apply a film of Parker® O-ring Lube before installation. Tighten the fasteners evenly in a star pattern using the proper torque.

Install the applicable o-rings or gasket to the wear plate (3). If o-rings are used, apply a film of Parker® O-ring Lube before installation. Place wear plate onto the journal. Install the wear plate fasteners (3A) and tighten evenly in a star pattern using the proper torque.

STEP 2.

There are two styles of brackets that may be used. One style is integrated into the bearing cover; the other is mounted to the machine face. Install the mounting bracket (19) to the machine, using the appropriate fasteners, and secure evenly. If an integrated bearing cover/bracket is used, follow the machine manufacturer's recommendations for installation.

STEP 3.

Before installing the joint body (1), an initial measurement needs to be taken from the seal ring wear indicator as shown in Figure 1. This can be done using snap gauges and calipers. Record this measurement for later use.

STEP 4.

Insert horizontal syphon pipe (23) into journal and engage according to the roll manufacturer's instructions.

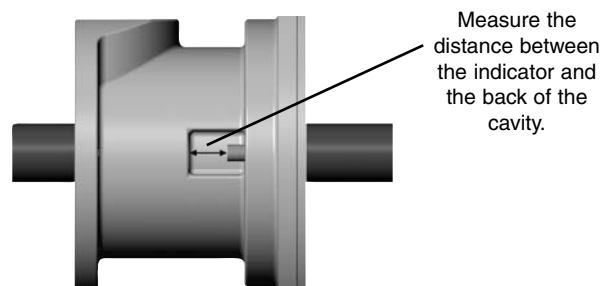


Figure 1. Seal ring indicator measurement

STEP 5.

Place three drops of seal ring installation fluid (supplied) equally spaced on the conical side of the seal ring (6). Place the seal ring onto the wear plate (3), making sure that it is centered. The seal ring should stick to the wear plate. Take care that the seal ring does not fall from the wear plate.

STEP 6.

Place the body assembly (1) onto the bracket (19) making sure that the piston inside of the body lines up with the flat face of the seal ring (6). Line up the holes in the body with the bracket, making sure that the inlet connection is in the desired orientation. Fasten the body to the bracket using the supplied fasteners (1A). Please note that the fasteners may be nuts or bolts depending on the installation. Tighten the fasteners evenly in a star pattern to 110 to 130 ft-lbs (149 to 176 Nm).

STEP 7.

With the joint body (1) installed, re-measure the seal ring wear indicator as in Step 3. Subtract the measurement taken in Step 3 from this number. This number should be between 0.22" (6 mm) and 0.35" (9 mm). This is the amount of seal ring wear that is available at room temperature. Record this number.

STEP 8.

In order to make installing the head (2) over the horizontal pipe (23) and onto the body (1) easier, the lip on the lip seal (13) needs to be stretched. Using a smooth handled tool, insert it into the lip of the seal and spread by running the tool around the lip several times. Lubricate the seal with o-ring lubricant.

STEP 9.

Orient the outlet connection in the desired position and place gasket (12) over the head (2) and carefully slide head over the horizontal pipe (23). Insert pipe into bushing (9) and attach head (2) to body (1) using fasteners (2A). Tighten the fasteners evenly in a star pattern using the proper torque.

The joint is ready for the flexible hose piping.

Dimensions and specifications are for reference only and subject to change. Certified drawings are available on request. Please refer to Kadant Johnson Drawing Number A37640 for torque specifications.

The Kadant Johnson Warranty

Kadant Johnson products are built to a high standard of quality. Performance is what you desire: that is what we provide. Kadant Johnson products are warranted against defects in materials and workmanship for a period of one year after date of shipment. It is expressly understood and agreed that the limit of Kadant Johnson's liability shall, at Kadant Johnson's sole option, be the repair or resupply of a like quantity of non-defective product.

KĀDANT
AN ACCENT ON INNOVATION
www.kadant.com